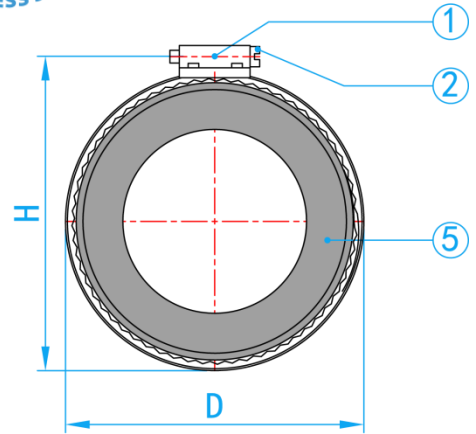
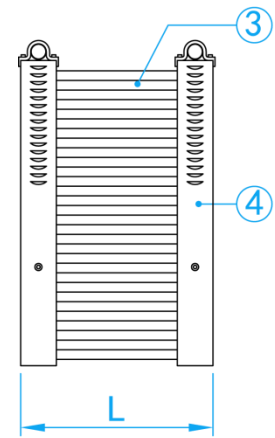


TYPE A REDUCE CLIPS

COMPLY WITH CISPI 310-2012



SIDE VIEW



FRONT VIEW

INSTALLATION ASSEMBLY

COMPONENT PARTS

| ITEM | PARTS | MATERIAL |
|------|-----------------|---------------------|
| 1 | Housing | Stainless Steel 304 |
| 2 | Worm Screw | Stainless Steel 304 |
| 3 | Worm Drive Band | Stainless Steel 304 |
| 4 | Shield | Stainless Steel 304 |
| 5 | Gasket | EPDM |

STANDARD SPECIFICATIONS

| SKU | SIZE (mm) | L (mm) | H (mm) | D (mm) | BOLT | BAR | Install Torque (Nm) | WEIGHT (kg) | PCS/CTN |
|-----------|-----------|--------|--------|--------|--|-----|---------------------|-------------|---------|
| HUBC05042 | 50 x 42 | 54 | 81.2 | 72 | SS304 5/16 Slotted Hex Head Worm Screw | 0.5 | 7.5 | 0.15 | 100 |
| HUBC08050 | 75 x 50 | 54 | 105.7 | 96.5 | SS304 5/16 Slotted Hex Head Worm Screw | | 7.5 | 0.26 | 100 |
| HUBC10050 | 100 x 50 | 54 | 130 | 121 | SS304 5/16 Slotted Hex Head Worm Screw | | 7.5 | 0.46 | 100 |
| HUBC10080 | 100 x 75 | 54 | 130 | 121 | SS304 5/16 Slotted Hex Head Worm Screw | | 7.5 | 0.51 | 100 |